

Order form:

Date of the day:

PO:

IT'S TIME TO
TAKE IT OUTSIDE

Planning and Ordering Form
LINE U-SHAPE



Order form:

Date of the day:

PO:

Instructions for completing the form

POSITION

LOCATE THE CABINETS

This column refers to the position of the cabinet in the configuration as shown in the form at the top of the page, as well as in the Information and Configuration page (end, corners, sections).

You do not have to fill in each line.

A maximum number of lines (cabinets) is available on this form. Contact customer service if your installation is larger.

STEP 1

CABINET CATEGORY

For each position, select the category of cabinet you wish to install.

Example: Select Storage & specialities for a Recycling Pull-Out Cabinet, Select Sink for an integrated sink cabinet, etc.

STEP 2

SPECIFIC CABINET

For each position and category, select the cabinet including its width, style (doors, drawers), hinge position, etc.

Example: Select Recycling Pull-Out Cabinet 18in to complete your Recycling Pull-Out Cabinet selection, select Sink Cabinet SmartStation Maple 1 door hinges left to complete your integrated sink cabinet selection, etc.

STEP 3

SELECT THE À LA CARTE OPTIONS

For each position, select the options to apply to the cabinet. Consult the legend to understand each of them. Check our website as needed.



The 316L grade is much more resistant to corrosion when used in a saline environment or in the presence of chemicals.



The back panel is an aesthetic panel installed behind a cabinet. This closes the back area meant for the plumbing and electricity passage in a smooth and continuous surface.



By choosing this option, a LED system encapsulated in an extrusion will be positioned in the bottom of the selected cabinets.



This discreet lock will allow you to secure the content of your cabinets and protect the cabinets during high winds. This extra security will also prevent animals from taking refuge in the cabinets.

Order form:

Date of the day:

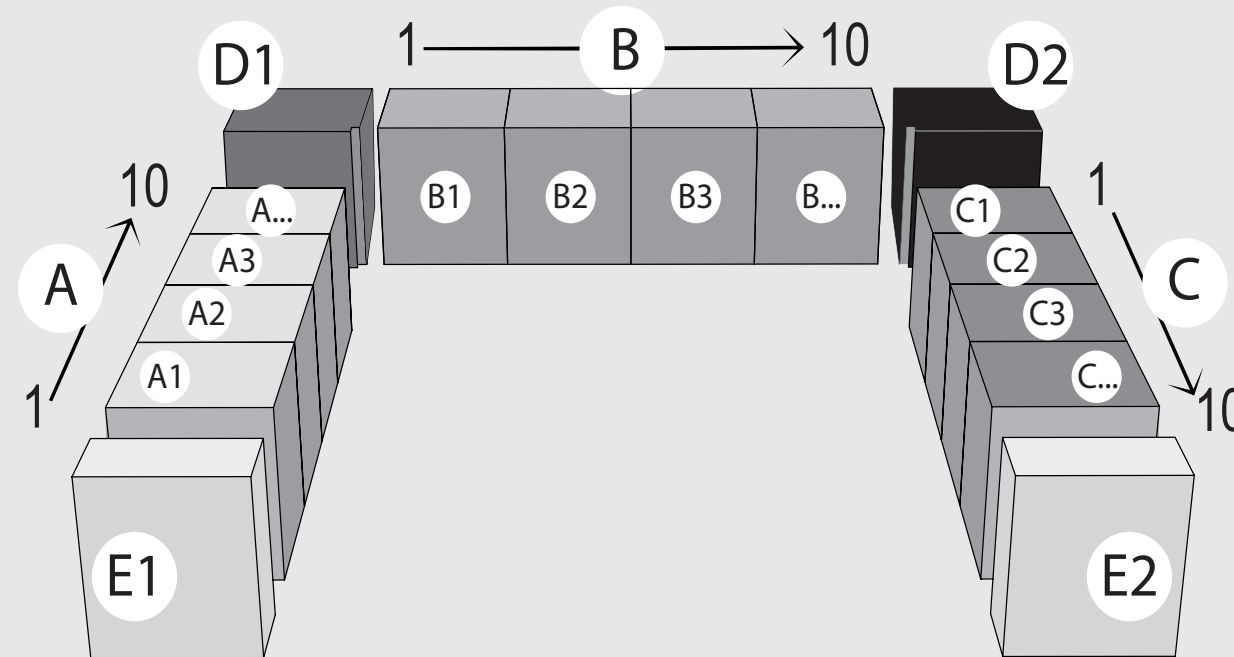
PO:

Information and Configuration

PERSONAL INFORMATIONS

DESCRIPTION

The U-shaped kitchen design divides the action on 3 sides of the space. This design focuses on storage space and increased work surfaces. Everything is at your fingertips, making it a wise choice if you want a functional space and great freedom of movement



Order form:

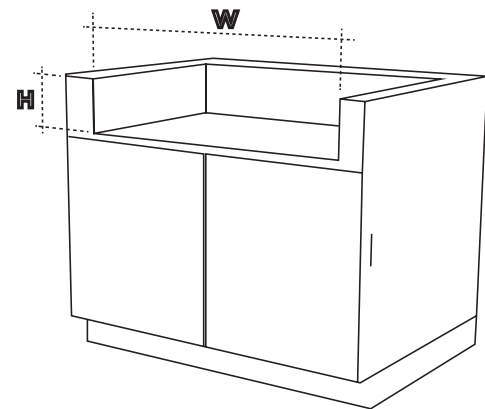
Date of the day:

PO:

Information about Grill Cabinets and Appliance Cabinets

MANDATORY INFORMATION FOR THE GRILL CABINET

* Indicate the grill brand and model chosen:



* Indicate the dimensions
of the opening recommended
by the manufacturer:

Height (H): _____

Width (W): _____

Depth (D): _____

Inches: Millimeters:

*Indicate the countertop thickness:

MANDATORY INFORMATION FOR THE APPLIANCE CABINETS

* Indicate the refrigerator brand and model chosen:

Height (H): _____

Width (W): _____

Depth (D): _____

Inches: Millimeters:

* Indicate the dishwasher brand and model chosen:

Height (H): _____

Width (W): _____

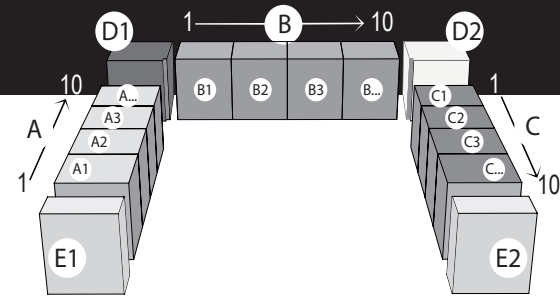
Depth (D): _____

Inches: Millimeters:

Order form:

Date of the day:

PO:



Section 1 - Choosing the cabinets

Position	Step 1	Step 2	Step 3 Options for cabinets				SKU	Price (MSRP)
	Cabinet Category	Specific Cabinets	316	BACK	EXT	LOCK		
E1								
A1								
A2								
A3								
A4								
A5								
A6								
A7								
A8								
A9								
A10								
D1								
B1								
B2								
B3								
B4								
B5								
B6								
B7								
B8								
B9								
B10								
D2								

Total dimension in inches:

Side A :

Side B :

Side C :

Total dimension in feet:

Side A :

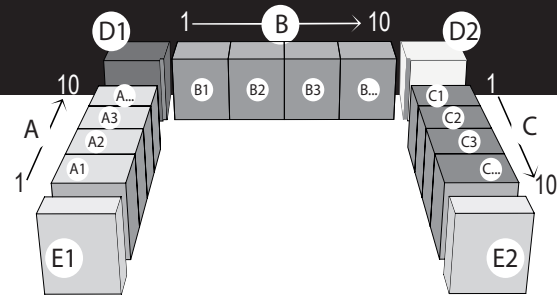
Side B :

Side C :

Order form:

Date of the day:

PO:



Section 1 - Choosing the cabinets

Position	Step 1	Step 2	Step 3 Options for cabinets				SKU	Price (MSRP)
	Cabinet Category	Specific Cabinets	316	BACK	EXT	LOCK		
C1								
C2								
C3								
C4								
C5								
C6								
C7								
C8								
C9								
C10								
7\$								

Counter Leg in Stainless Steel

Grade 316L

I WOULD LIKE TO HAVE A QUOTE FOR A STAINLESS STEEL COUNTERTOP.

* Note: Dimensions does not take into account Signature module

Total dimension in inches:	Side A :	Side B :	Side C :	Total : USD
Total dimension in feet:	Side A :	Side B :	Side C :	* Note: Price displayed in US dollars does not take into account Signature module s. The actual selling price may vary