

Order form:

Date of the day:

PO:

IT'S TIME TO
TAKE IT OUTSIDE

Planning and Ordering Form
LINE U-SHAPE



Order form:

Date of the day:

PO:

Instructions for completing the form

POSITION

LOCATE THE CABINETS

This column refers to the position of the cabinet in the configuration as shown in the form at the top of the page, as well as in the Information and Configuration page (end, corners, sections).

You do not have to fill in each line.

A maximum number of lines (cabinets) is available on this form. Contact customer service if your installation is larger.

STEP 1

CABINET CATEGORY

For each position, select the category of cabinet you wish to install.

Example: Select Storage & specialities for a Recycling Pull-Out Cabinet, Select Sink for an integrated sink cabinet, etc.

STEP 2

SPECIFIC CABINET

For each position and category, select the cabinet including its width, style (doors, drawers), hinge position, etc.

Example: Select Recycling Pull-Out Cabinet 18in to complete your Recycling Pull-Out Cabinet selection, select Sink Cabinet SmartStation Maple 1 door hinges left to complete your integrated sink cabinet selection, etc.

STEP 3

SELECT THE À LA CARTE OPTIONS

For each position, select the options to apply to the cabinet. Consult the legend to understand each of them. Check our website as needed.



The 316L grade is much more resistant to corrosion when used in a saline environment or in the presence of chemicals.



The back panel is an aesthetic panel installed behind a cabinet. This closes the back area meant for the plumbing and electricity passage in a smooth and continuous surface.



By choosing this option, a LED system encapsulated in an extrusion will be positioned in the bottom of the selected cabinets.



This discreet lock will allow you to secure the content of your cabinets and protect the cabinets during high winds. This extra security will also prevent animals from taking refuge in the cabinets.

Order form:

Date of the day:

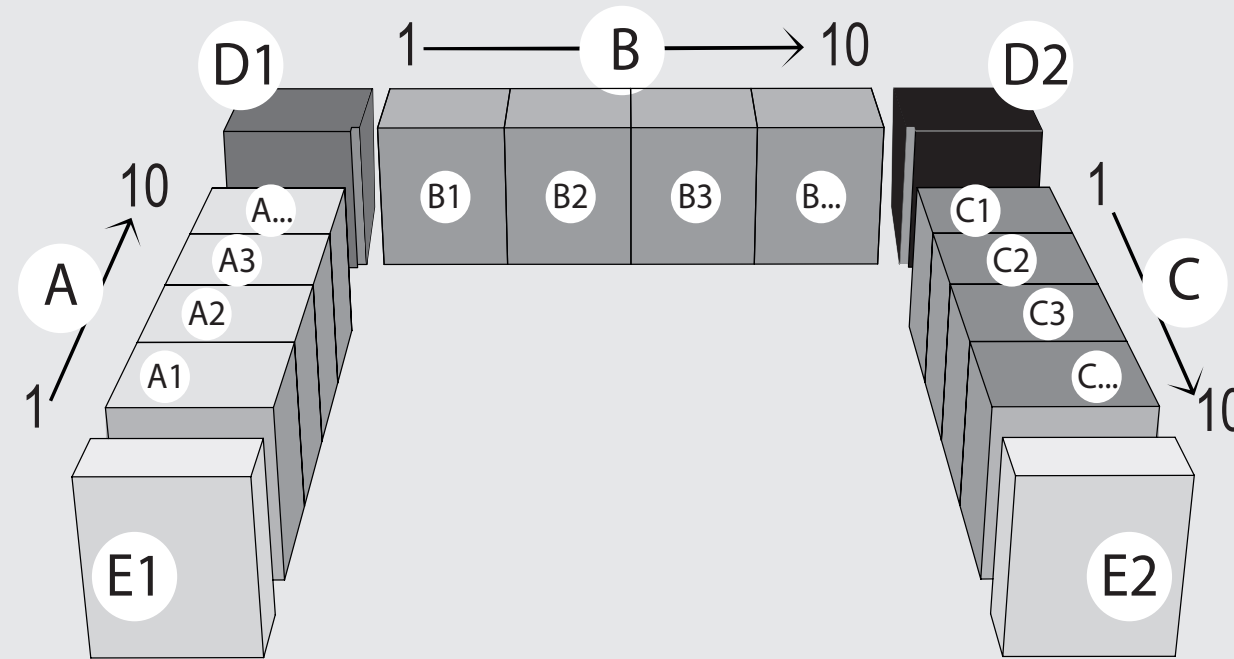
PO:

Information and Configuration

PERSONAL INFORMATIONS

DESCRIPTION

The U-shaped kitchen design divides the action on 3 sides of the space. This design focuses on storage space and increased work surfaces. Everything is at your fingertips, making it a wise choice if you want a functional space and great freedom of movement



Order form:

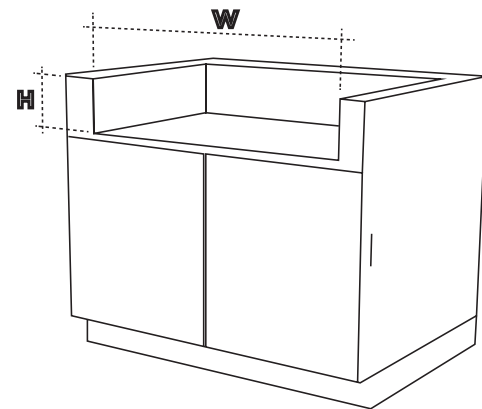
Date of the day:

PO:

Information about Grill Cabinets and Appliance Cabinets

MANDATORY INFORMATION FOR THE GRILL CABINET

* Indicate the grill brand and model chosen:



* Indicate the dimensions of the opening recommended by the manufacturer:

Height (H): _____

Width (W): _____

Depth (D): _____

Inches: _____ Millimeters: _____

*Indicate the countertop thickness:

MANDATORY INFORMATION FOR THE APPLIANCE CABINETS

* Indicate the refrigerator brand and model chosen:

Height (H): _____

Width (W): _____

Depth (D): _____

Inches: _____ Millimeters: _____

* Indicate the dishwasher brand and model chosen:

Height (H): _____

Width (W): _____

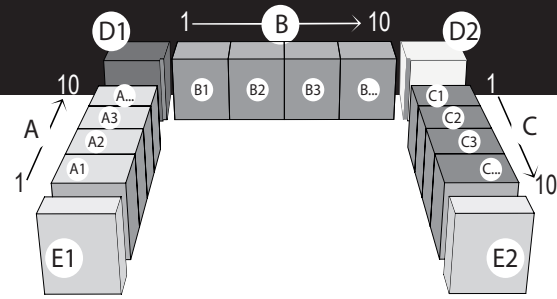
Depth (D): _____

Inches: _____ Millimeters: _____

Order form:

Date of the day:

PO:



Section 1 - Choosing the cabinets

Position	Step 1	Step 2	Step 3	Options for cabinets	SKU	Price (MSRP)
	Cabinet Category	Specific Cabinets	316			
E1				<input type="checkbox"/> 316 <input type="checkbox"/> BACK <input type="checkbox"/> EXT <input type="checkbox"/> LOCK		
A1						
A2						
A3						
A4						
A5						
A6						
A7						
A8						
A9						
A10						
D1						
B1						
B2						
B3						
B4						
B5						
B6						
B7						
B8						
B9						
B10						
D2						

Total dimension in inches:

Side A :

Side B :

Side C :

Total dimension in feet:

Side A :

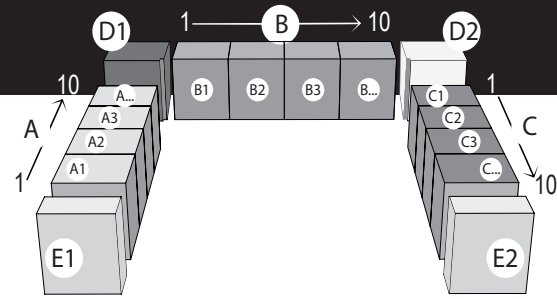
Side B :

Side C :

Order form:

Date of the day:

PO:



Section 1 - Choosing the cabinets

Position	Step 1	Step 2	Step 3 Options for cabinets				SKU	Price (MSRP)
	Cabinet Category	Specific Cabinets	316	BACK	EXT	LOCK		
C1								
C2								
C3								
C4								
C5								
C6								
C7								
C8								
C9								
C10								
7\$								

Counter Leg in Stainless Steel

Grade 316L

I WOULD LIKE TO HAVE A QUOTE FOR A STAINLESS STEEL COUNTERTOP.

* Note: Dimensions does not take into account Signature module

Total dimension in inches:	Side A :	Side B :	Side C :	Total : CAD
Total dimension in feet:	Side A :	Side B :	Side C :	* Note: Price displayed in CA dollars does not take into account Signature modules. The actual selling price may vary.